

Long reach boom arm stick



Application:

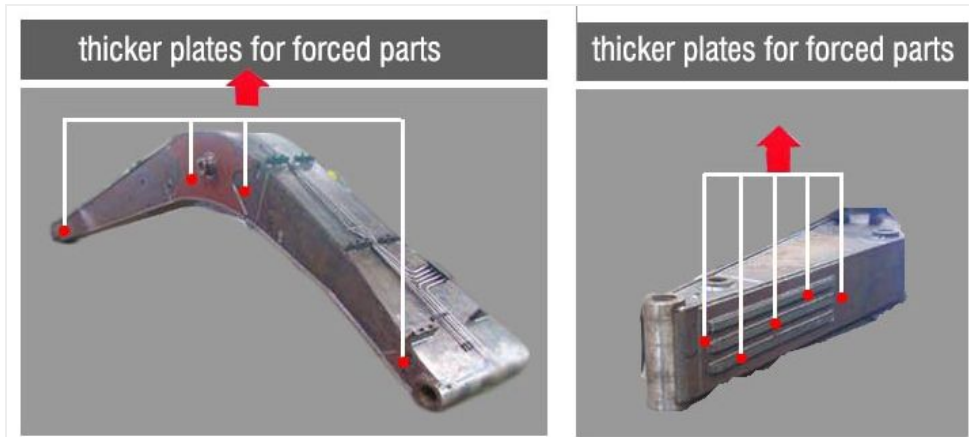
ideal solution for river and sea/River dredging either on land or barge, pond excavation and maintenance, deep foundation excavation, drainage construction, distant digging, etc.

Workmanship:

- 1, Our long reach excavator boom arm **designed on base of force analysis**, Product drawing generated by CAD, engineer from Caterpillar company,
- 2, we have **professional digital cutting machine to cut plates** in good shape,
- 3, skilled welding worker with more than 10years welding experience.
- 4, diligent cleaning work before paint

Characteristics

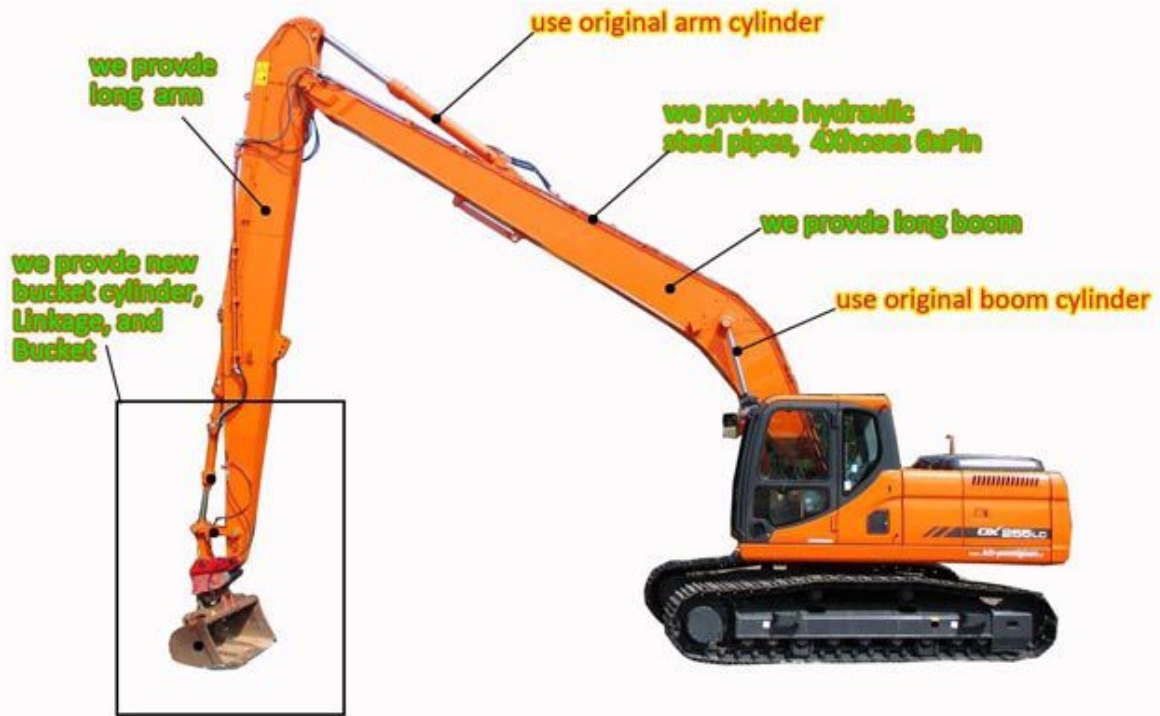
- thicker high strength plate for main forced parts
 - the hydraulic steel pipe is after anti-acid treatment
 - Design Long Boom Arm length on your requirement
 - Heavy Duty design
-



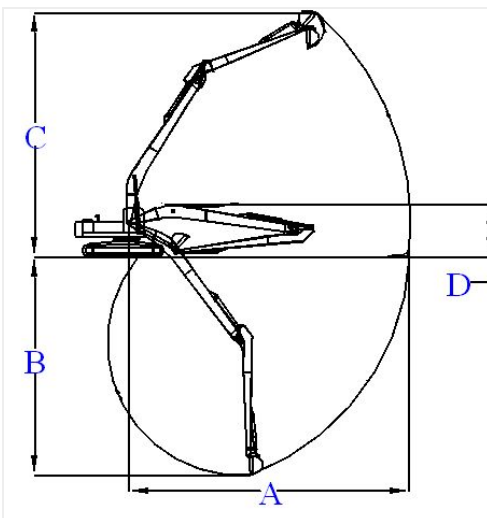
Our product can well fit these excavator brand:



We provide complete package include



Configuration of long reach excavator



Parameter For Long Reach Boom						
Excavator Operating Weight(Ton)	10T-16T	20T-25T	20T-45T	25T-45T	30T-40T	30T-55T
Total Length of Boom & arm (M Feet)	13M 42.6"	15.38M 50.5"	18M 59"	20M 65.6"	22M 72.2"	24M 78.7"
Weight(ton)	3	4.2	5.2	6	6.5	7
Bucket capacity(M3)	0.3	0.4	0.5	0.5	0.6	0.6
C Max. Digging Height(M Feet)	11.3M 37.1"	12.6M 41.3"	13.7M 45"	14.9M 49"	16M 52.5"	17.3M 56.7"
A Max. Forward Reach (M)	12.5M 41"	15.1M 49.5"	17.6M 57.7"	19.6M 64.3"	21.6M 70"	23.6M 77.4"
B Max. Digging Depth(M Feet)	9M 29.5"	11.4M 37.4"	13M 42.6"	15M 49.2"	16.5M 54.1"	18M 59"
D Overall Height(M)	2.9	3	3.2	3.2	3.4	3.4

Shipment

